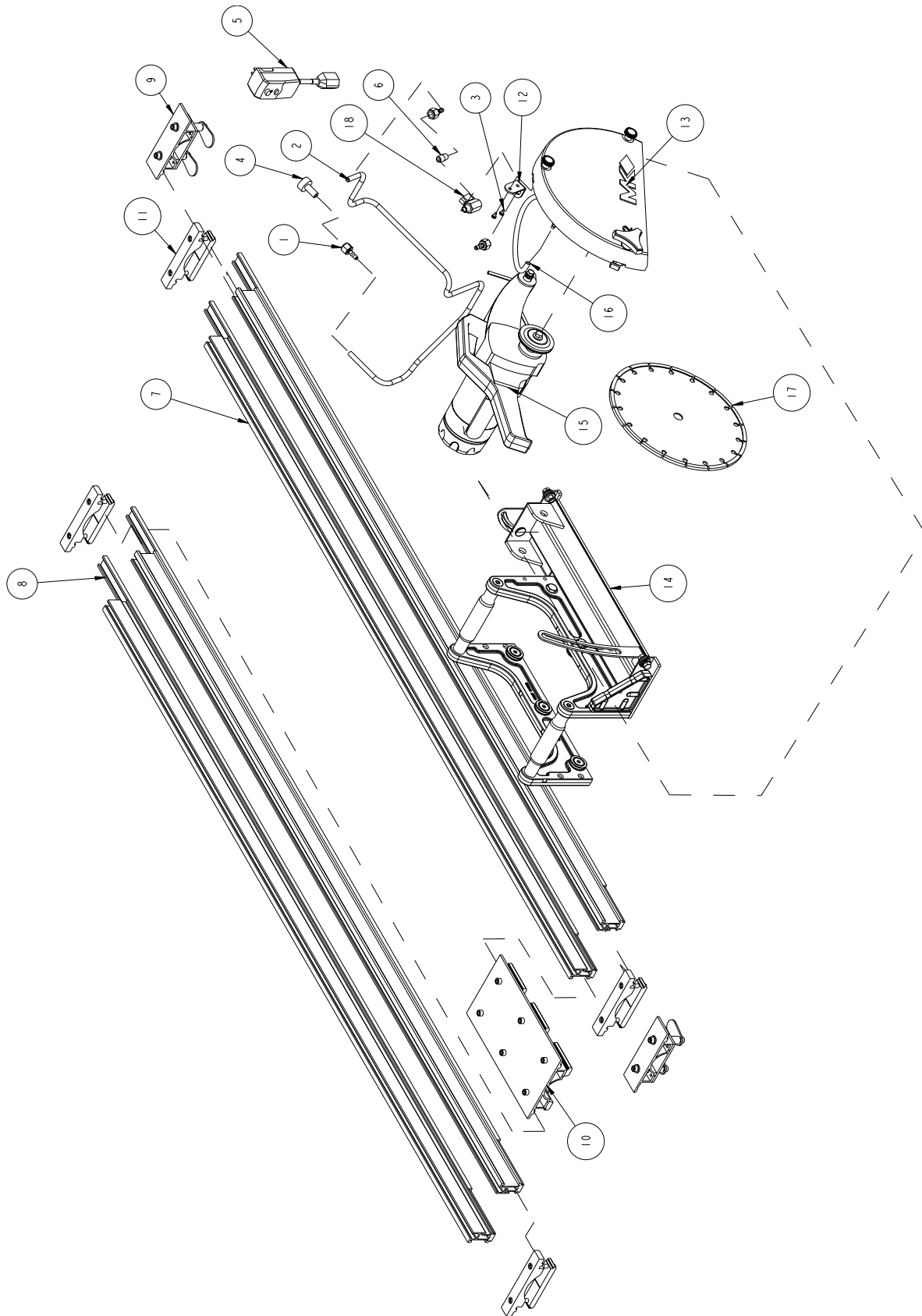


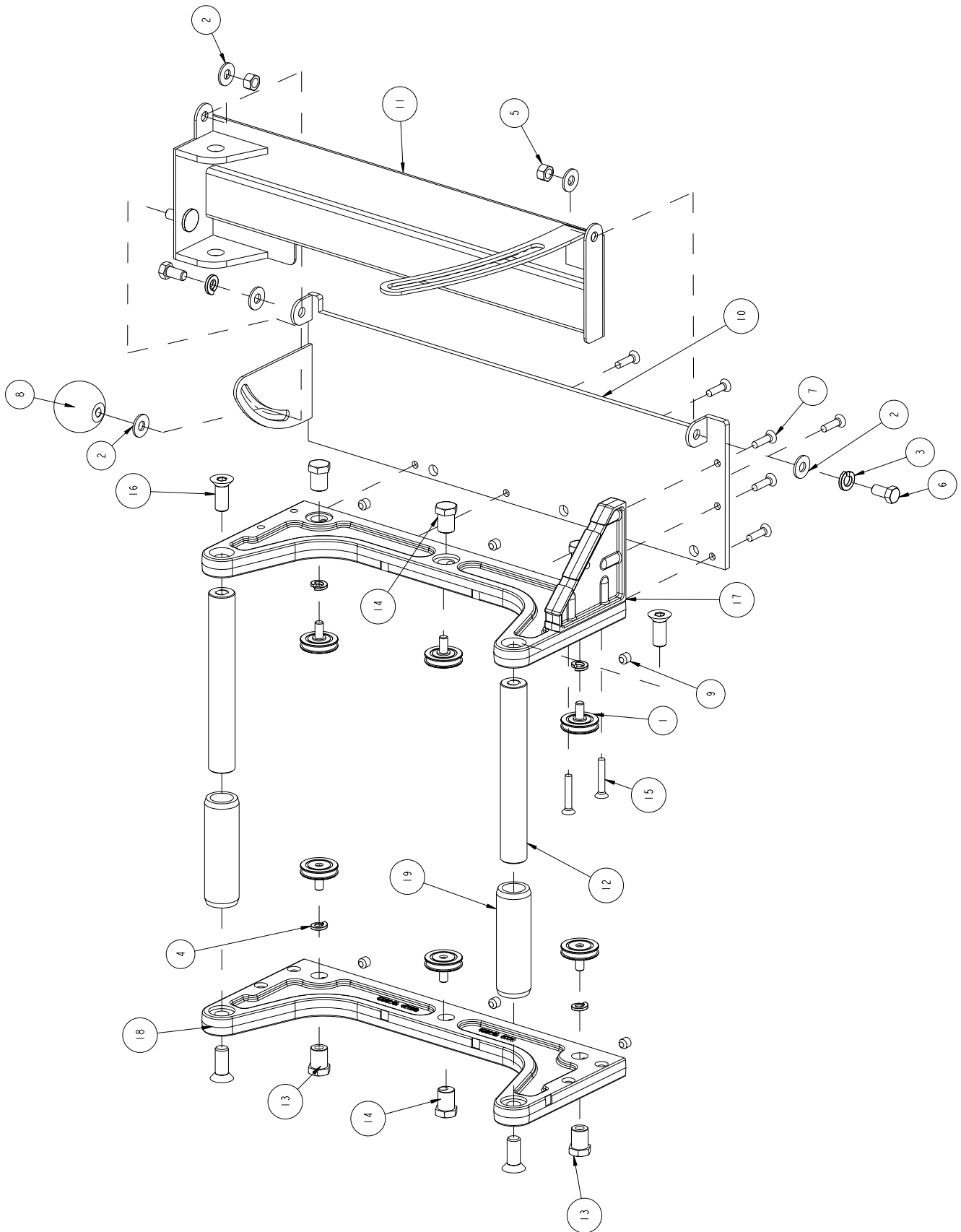
Final Assembly



Final Assembly

ITEM NO.	DESCRIPTION	PART OR IDENTIFYING NO.	QTY. REQ.
1	FITTING, PLASTIC, 1/4 FNPT X 1/4 BARB	128397	3
2	HOSE, VINYL, 3/8 X 1/4 X 6 FT	132951	1
3	SCREW, PAN HD SELF TP10-24 X 3/8	151262	2
4	FITTING, HOSE, 1/4 MNPT	152525	1
5	GFCI, 120V, 15A	152610	1
6	NIPPLE, 1/4 NPT X CLOSE, BRASS	159905	1
7	RAIL, TRACK SAW	164926	4
8	FOOT, RAIL	164944	4
9	CLAMP, RAIL SAW MATERIAL	165113	2
10	ASSY, RAIL CONNECTOR PLATE	165268	1
11	ASSY, PARALLEL RAIL SUPPORT BRACKET	165269	4
12	BRACKET, WATER VALVE	165478	1
13	ASSY, BLADE GUARD	165499	1
14	ASSY, MAIN CARRIER	165500	1
15	ASSY, CUTTING HEAD	165501	1
16	HOSE, 3/8 X 1/4 X 10"	165506	1
17	BLADE, 12"	165921	1
18	VALVE, BALL, 1/4"M TO 1/4"F	231248	1

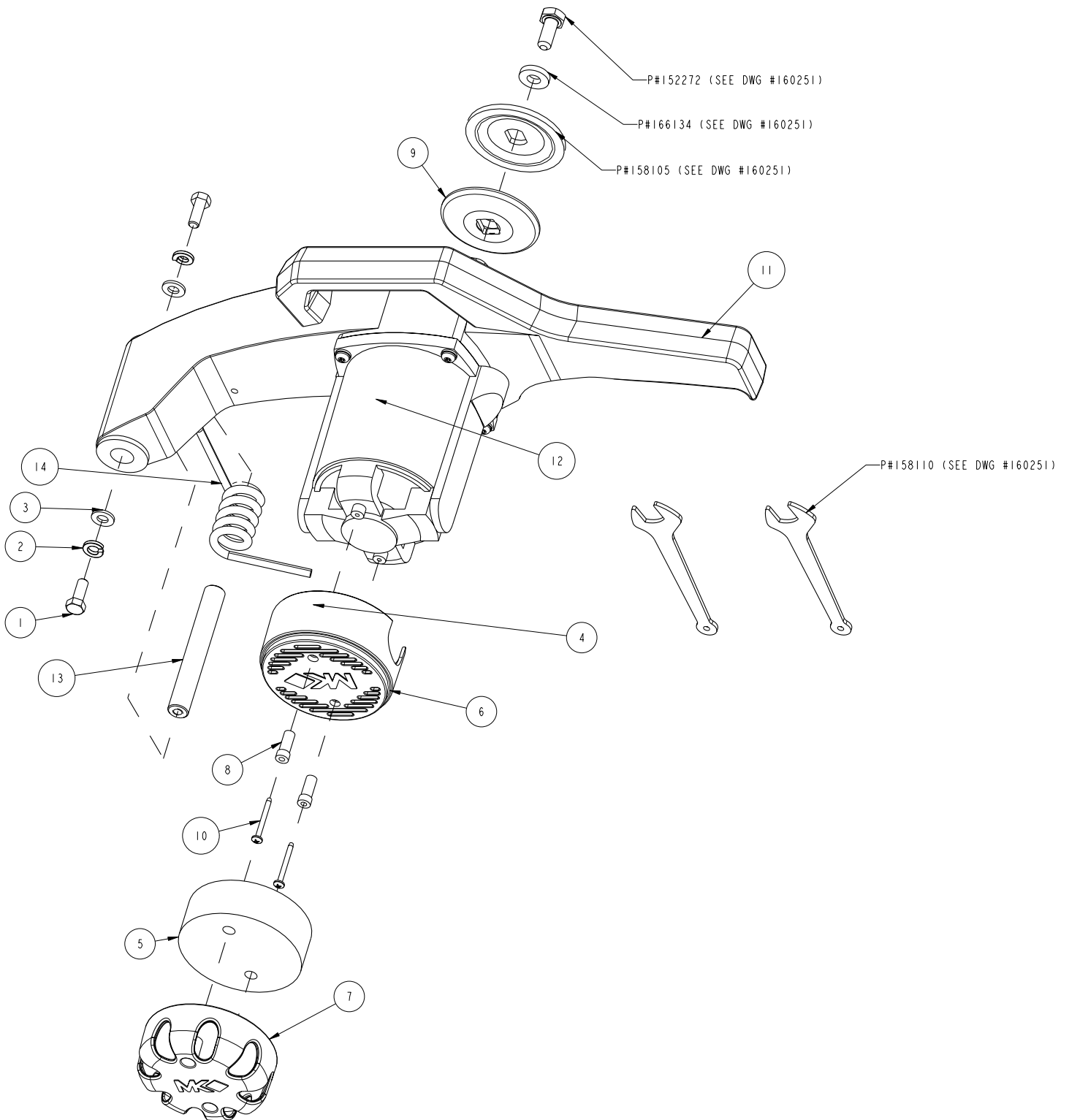
Main Carrier Assembly



Main Carrier Assembly

ITEM NO.	DESCRIPTION	PART OR IDENTIFYING NO.	QTY. REQ.
1	WHEEL, CONVEYOR CART	133090	6
2	WASHER, 3/8 SAE FLAT	150923	5
3	WASHER, 3/8 SPLIT LOCK	150925	2
4	WASHER, 5/16 SPLIT LOCK	151747	4
5	NUT, 3/8-16 HEX CENTERLOCK	153522	2
6	SCREW, 3/8-16 X 3/4 HEX HEAD CAP	153527	2
7	SCREW, 1/4-20 X 3/4 FLAT HEAD PHILLIPS MACHINE	154657	6
8	KNOB, BALL, 2", 3/8-16 INSERT	158519	1
9	SCREW, 3/8-16 X 3/8 SOCKET HEAD SET, CUP POINT	160713	6
10	BASE, INNER PIVOT	164923	1
11	BASE, TRACK RAIL SAW PIVOT	164925	1
12	SUPPORT, TRACK RAIL CROSS	164931	2
13	AXLE, CONVEYOR WHEEL	164932	4
14	AXLE, ADJ CONVEYOR WHEEL	164933	2
15	SCREW, 1/4-20 X 3/4 FLAT HEAD PHILLIPS MACHINE	165120	2
16	SCREW, 1/2-13 X 1-1/4 FLAT HEAD	165164	4
17	GUSSET (COMP)	166112	1
18	CARRIER, CART WHEEL (COMP)	166114	2
19	GRIP, HANDLE	229413	2

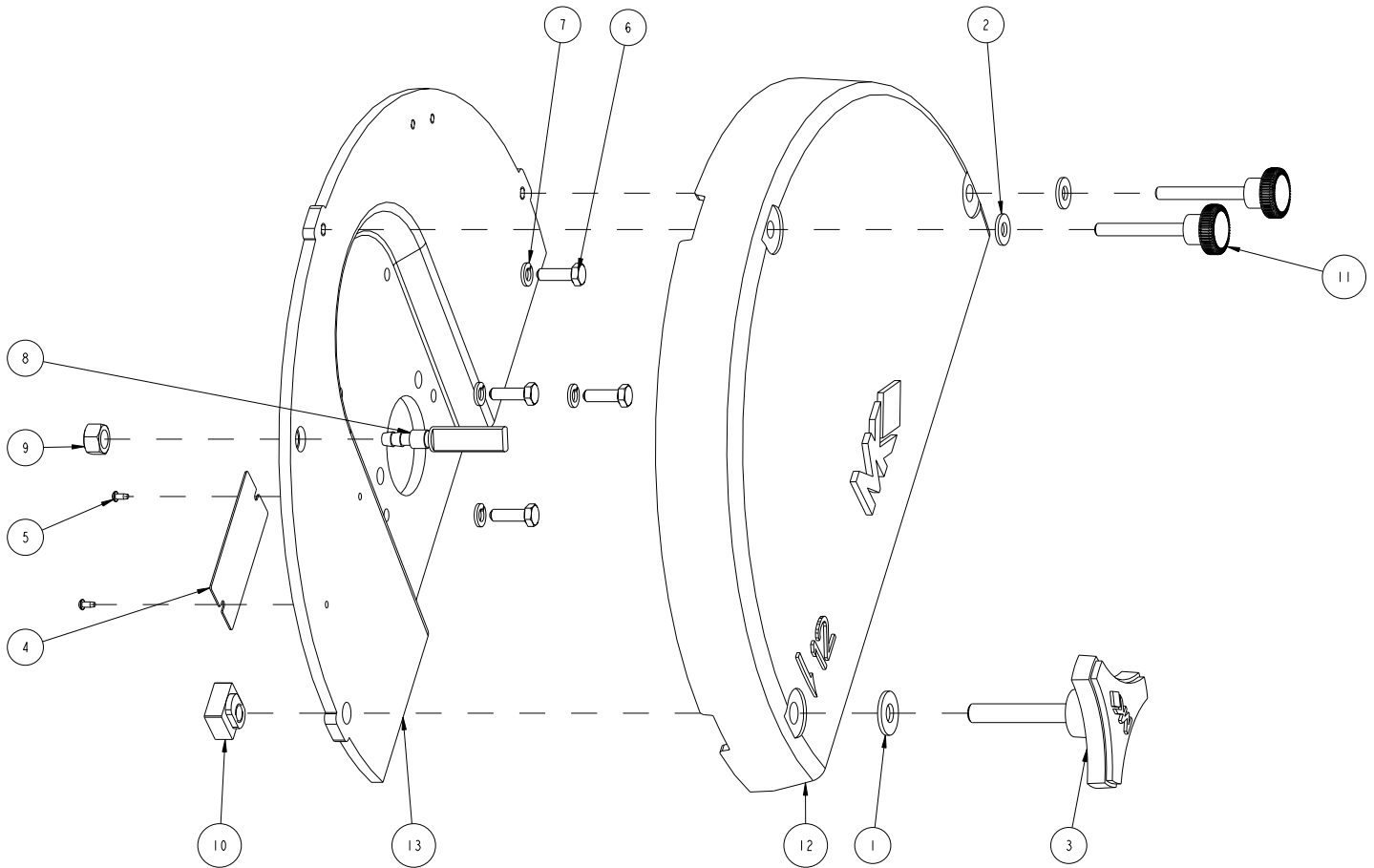
Cutting Head Assembly



Cutting Head Assembly

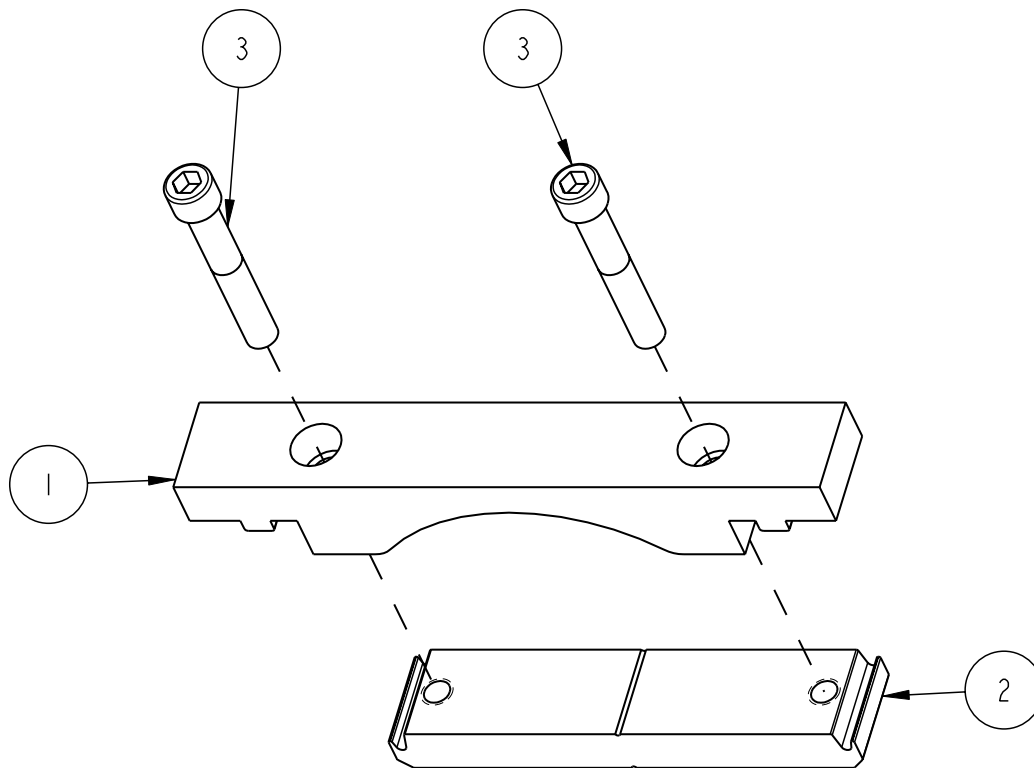
ITEM NO.	DESCRIPTION	PART OR IDENTIFYING NO.	QTY. REQ.
1	SCREW, 5/16-18 X 1 HEX HEAD MACHINE	151743	2
2	WASHER, 5/16 SPLIT LOCK	151747	2
3	WASHER, 5/16 SAE FLAT	151754	2
4	LABEL, CAUTION, SAFETY	155576	1
5	FILTER, MOTOR	157729	1
6	CAP, MOTOR	157877	1
7	SPACER, NYLON	157878	1
8	SPACE, CAP SCREW	157879	2
9	FLANGE, Ø 3.0 INNER	158106	1
10	SCREW, #8 X 1-1/2 FLAT HD PHIL	158157	2
11	ASSY, MOTOR, 115V/3A	160251	1
12	LABEL, WARNING, SILICA, PROP 65	164202	1
13	PIN, PIVOT	164934	1
14	SPRING, 70' TORSION	165272	1

Blade Guard Assembly



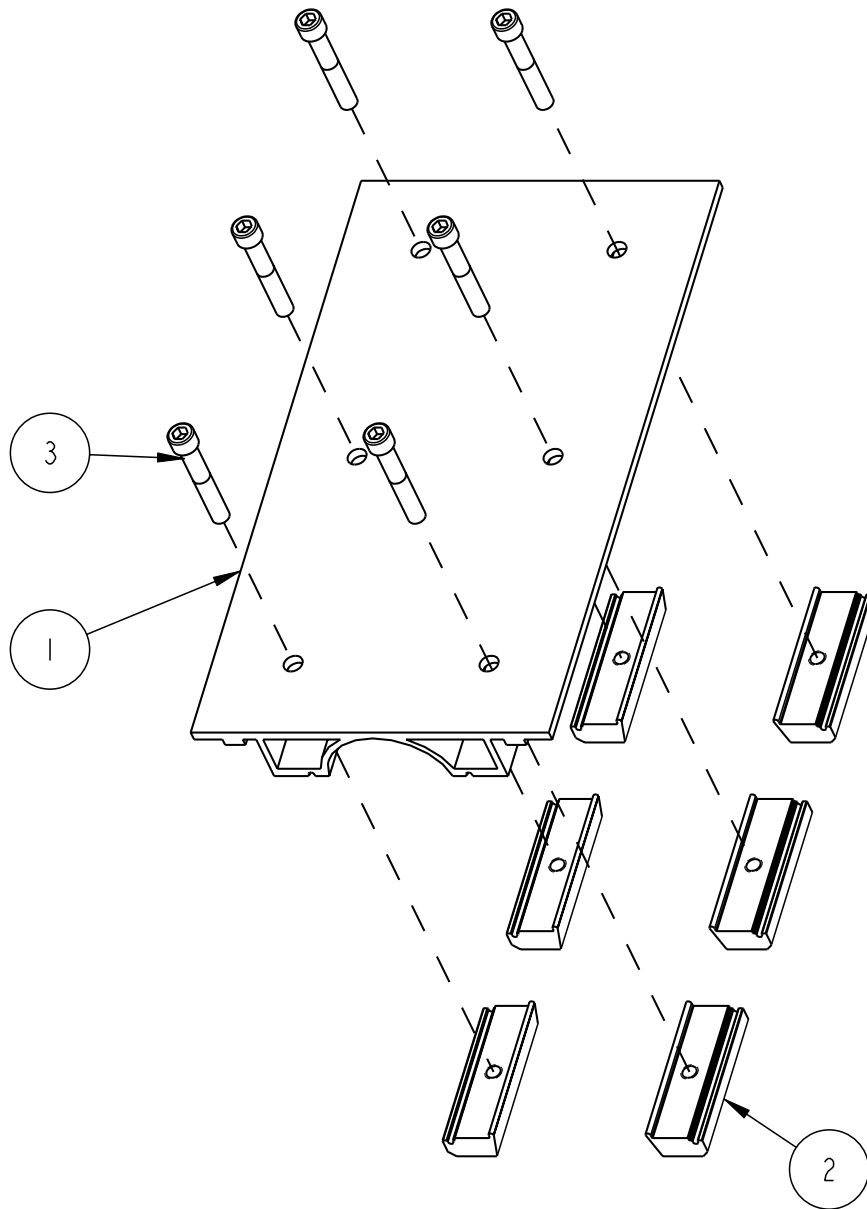
ITEM NO.	DESCRIPTION	PART OR IDENTIFYING NO.	QTY. REQ.
1	WASHER, 3/8 SAE FLAT	150923	1
2	WASHER, 1/4 SAE FLAT	151915	2
3	KNOB, TRI PLASTIC, 3/8-16X2-1/4	56770-04	1
4	TAG, SERIAL #, BLANK	157500	1
5	DRIVE SCREW, #7 X 5/16 ROUND HEAD	157849	2
6	SCREW, HEX HEAD CAP, M6 X 1 X 20MM	158158	4
7	WASHER, SPLIT LOCK, M6	158159	4
8	MANIFOLD, WATER	159854	1
9	NUT, 3/8-16 HEX	159863	1
10	NUT, ROUNDED T-SLOT	164945	1
11	KNOB, 1/4-20X2 ROUND	165163	2
12	GUARD, BLADE (COMP)	166109	1
13	GUARD, INNER BLADE (COMP)	166111	1

Parallel Rail Support Bracket



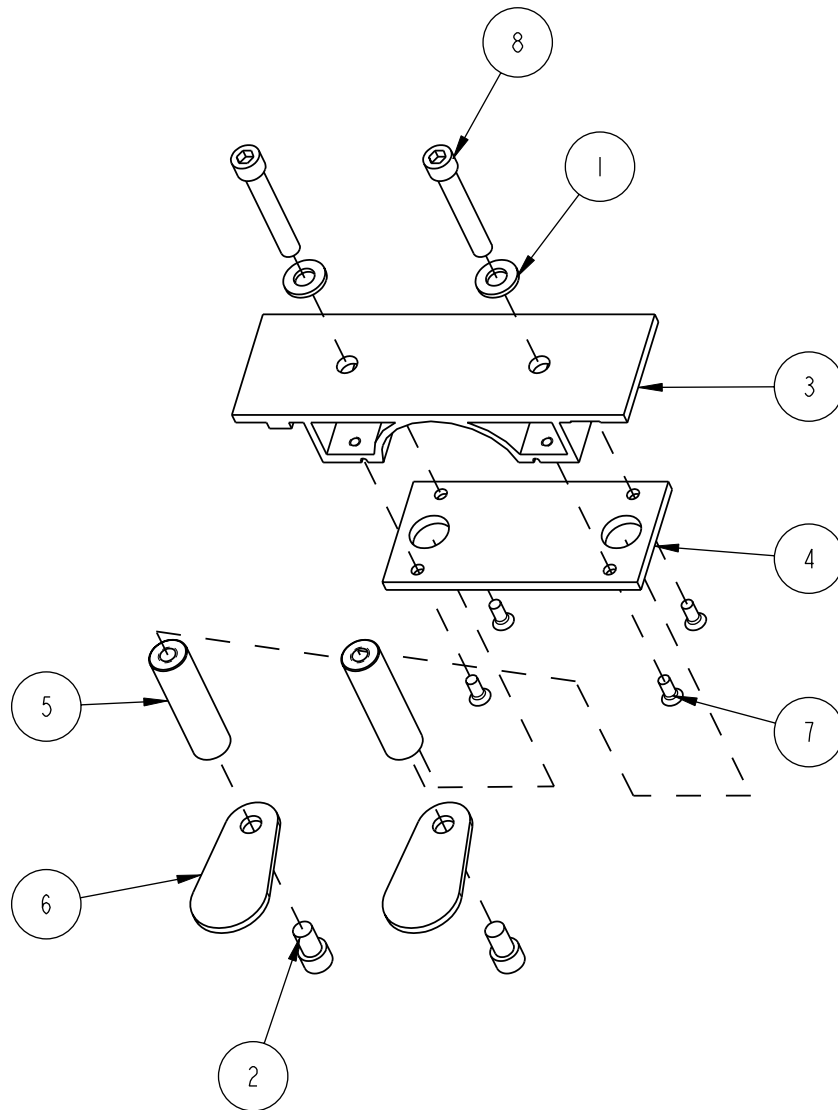
ITEM NO.	DESCRIPTION	PART OR IDENTIFYING NO.	QTY. REQ.
1	CLAMP, UPPER RAIL	164939	1
2	CLAMP, LOWER RAIL (COMP)	164942	1
3	SCREW, 5/16-18X2 SOCKET HEAD CAP	165165	2

Rail Connector Plate



ITEM NO.	DESCRIPTION	PART OR IDENTIFYING NO.	QTY. REQ.
1	PLATE, RAIL CONNECTOR	164936	1
2	SHOE, CONNECTOR (COMP)	164938	6
3	SCREW, 5/16-18X2 SOCKET HEAD CAP	165165	6

Rail Saw Material Clamp



ITEM NO.	DESCRIPTION	PART OR IDENTIFYING NO.	QTY. REQ.
1	WASHER, 5/16 SAE FLAT	151754	2
2	SCREW, 5/16-18X1/2 SOCKET HEAD CAP	156139	2
3	BASE, MATERIAL CLAMP	165114	1
4	PLATE, MATERIAL CLAMP SUPPORT	165115	1
5	STAND-OFF, THREADED	165116	2
6	FOOT, MATERIAL CLAMP	165117	2
7	SCREW, 10-24 X 3/4 FLAT HEAD PHILLIPS MACHINE	165121	4
8	SCREW, 5/16-18 X 2 SOCKET CAP	165243	2